

6.5 oz Collection Cup with Pour Spout, Polystyrene (PS)

Item# 5921 / 5925



Description

This crystal clear polystyrene (PS) collection cup holds up to 6.5 ounces of liquid and offers a unique pour spout to transfer liquids without spilling. The cup has clear graduation marks that are molded into the plastic offering measurements in both milliliters (mL) and ounces (oz).

Features

- 6.5oz (190cc) capacity
- Clear polystyrene (PS)
- Molded graduations in both milliliters and ounces
- Pour spout

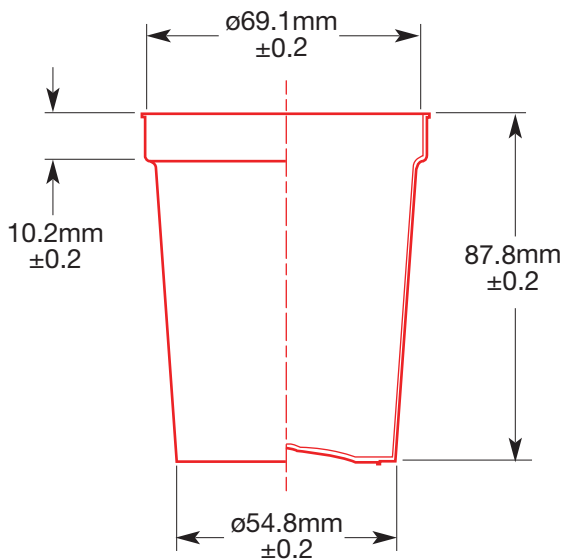
Technical Specifications

Autoclavable: No

Brittleness temperature: 20°C

Maximum temperature: 90°C

Sterility: Non-sterile



Products

Item#	Description	Unit
5921	6.5oz collection cup, PS, 25/pk, 20pks/case	500
5925	6.5oz collection cup, PS, with paper lids, 25/pk, 20pks/case	500